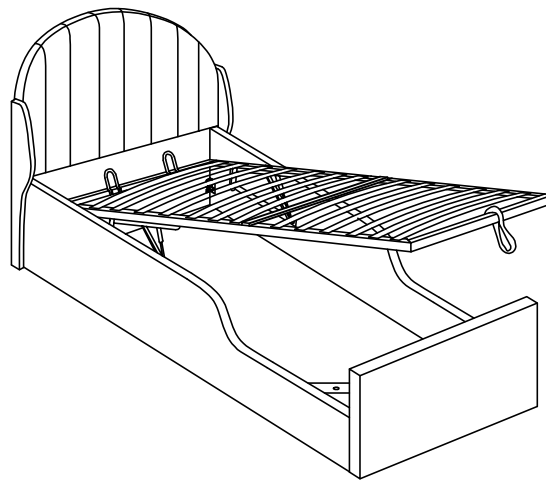




Assembly Instructions

MARINA 3FT SINGLE



Important before assembly:

Read these instructions carefully before assembling or using the product.

Please check the contents of the boxes before attempting to assemble this product. The instructions will have a checklist of parts and fittings.

It would be sensible to lay a rug or a carpet on the floor where you intend to assemble the product, to avoid scratches and damaging the product or the floor.

Assemble the product as close to its intended final location/room as possible.

Do NOT use any power tools as this may damage the frame.

Health & Safety:

This product or some parts of this product will be heavy. Please use an assistant when lifting.

Please keep small parts out of reach of children.

Always use on a level, even surface.

DO NOT jump on the product or any of its parts.

DO NOT use this product if any parts are missing, damaged or worn.

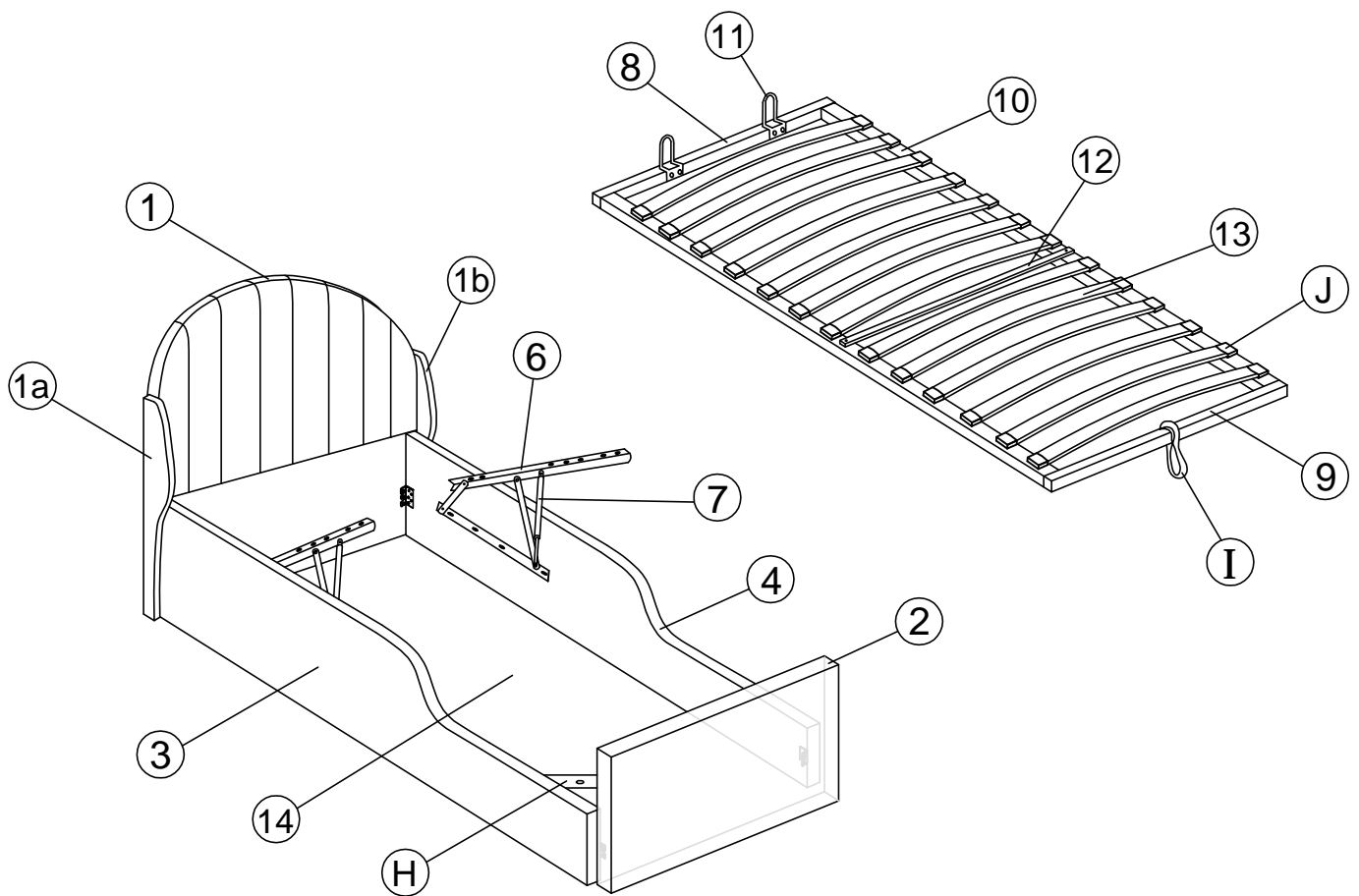
DO NOT use this product unless all fixings are secured.

Advisory weight limit for the trundle bed is 100kg+mattress.

Caution strong spring attached to the trundle leg.

Lift trundle slowly to release leg to avoid damage.

Please keep these instructions for future reference.



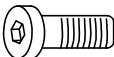
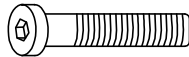
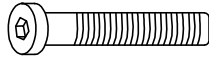

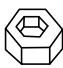
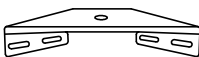


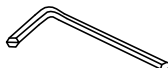


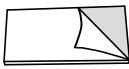



PART LIST

BOX 1			BOX 2		
PART	DESCRIPTION	QTY	PART	DESCRIPTION	QTY
1	Headboard	1	3	Siderail Left	1
2	Footboard	1	4	Siderail Right	1
1a	Left Wing	1	6	Gas Lift	2
1b	Right Wing	1	7	Cylinder	2
13	Wooden Slats	13	8	Base Front Bar	1
14	Velcro Base Sheet	1	9	Base Back Bar	1
			10	Base Side Bar	2
			11	Mattress Support	2
			12	Across Bar	1
				Hardware Box	1

**You will need a screwdriver (not provided)

HARDWARE LIST (found in Box 2)

PART	DIAGRAM	DESCRIPTION	QTY
A		1/4 x 15mm Bolt	16
B		1/4 x 20mm Bolt	10
C		5/16 x 25mm Bolt	10
D		5/16 x 45mm Bolt	10
E		5/16 x 50mm Bolt	2
F		M8 Washer	54
G		5/16 Zinc Nut	6
H		Corner Bracket	2
I		Base Lift Strap	1
J		Plastic Cap	26
L		M6 Allen Key	1
M		M8 Allen Key	1
N		5/16 Spanner	1
P		100 x 25mm EVA Pad	4
Q		Adjustable Feet	4

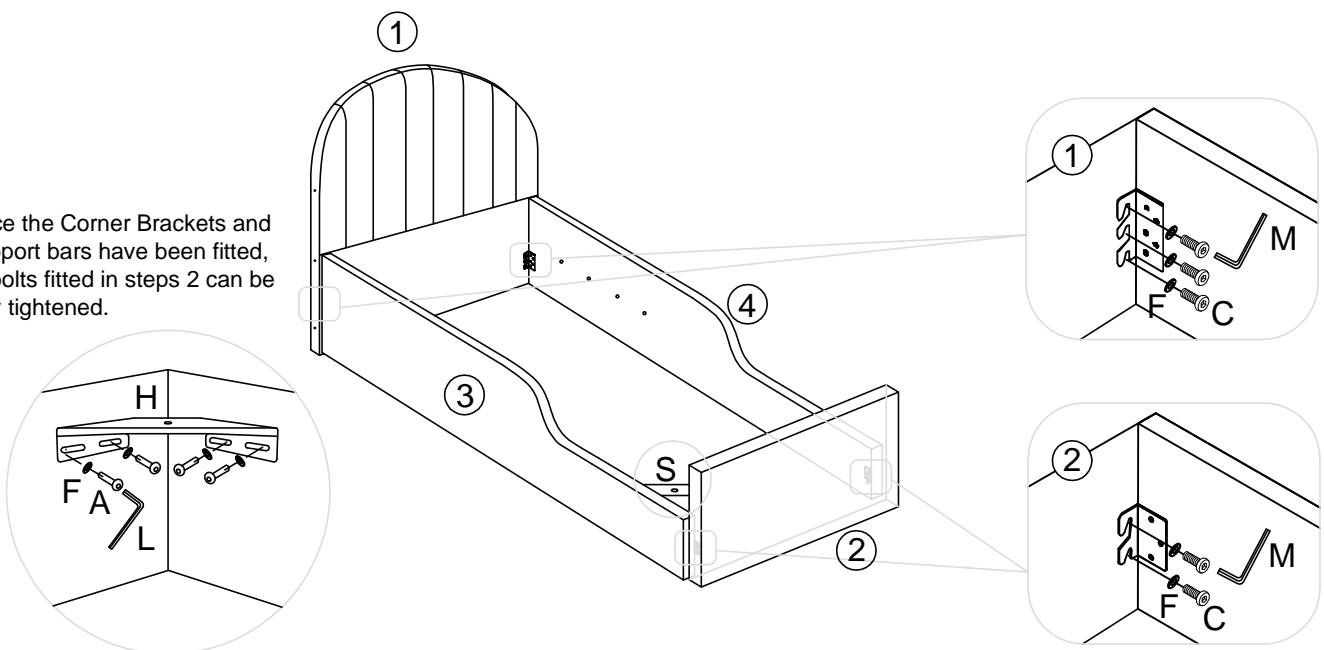
Step 1: Attach the 2 x Adjustable Feet (Q) Rotate into the bottom of the Headboard (1).
 Secondly attach the 2 x Adjustable Feet (Q) Rotate into the bottom of the Footboard (2).



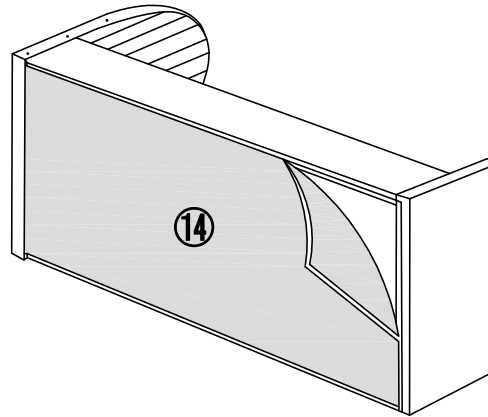
Step 2:

Attach the siderails (3&4) to the Headboard (1) using hardware 6 x parts (C) and 6 x parts (F).
 And attach the siderails (3&4) to the Footboard (2) using hardware 4 x parts (C) and 4 x parts (F).
 Once the siderails is connected to the footbaord, using Corner Bracket (H) with hardware 8 x parts (A)
 and 8 x parts (F).

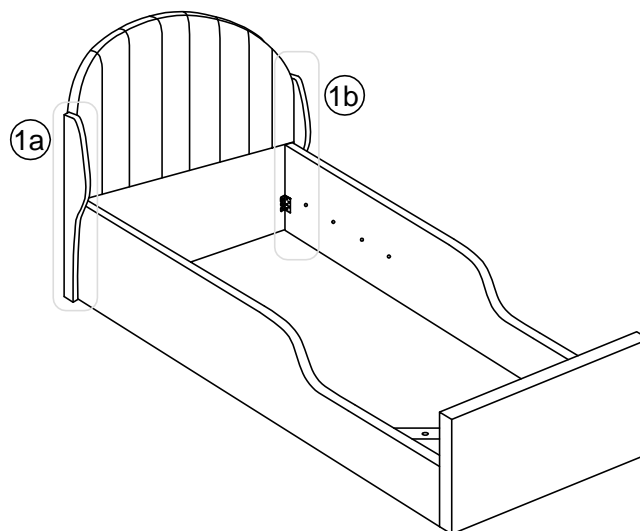
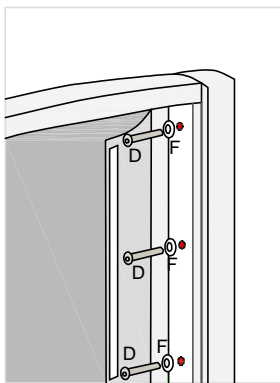
Once the Corner Brackets and Support bars have been fitted, all bolts fitted in steps 2 can be fully tightened.



Step 3: Turn the bed on its side and put it in place.
Open and paste Velcro Base Sheet (14) on the bottom of the bed.

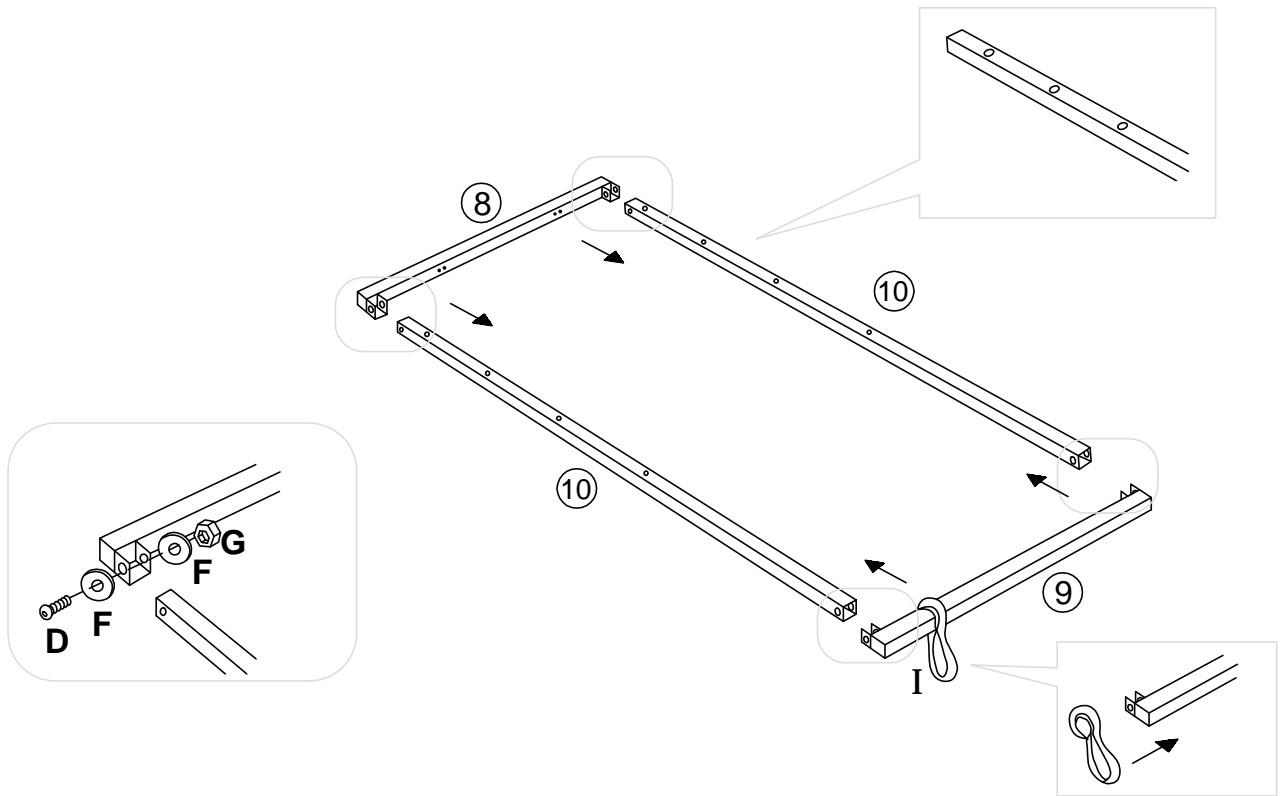


Step 4: Attach the 1 x Left Wing (1a) and 1 x Right Wing (1b) to the Headboard (1) using hardware parts (D) and (F).



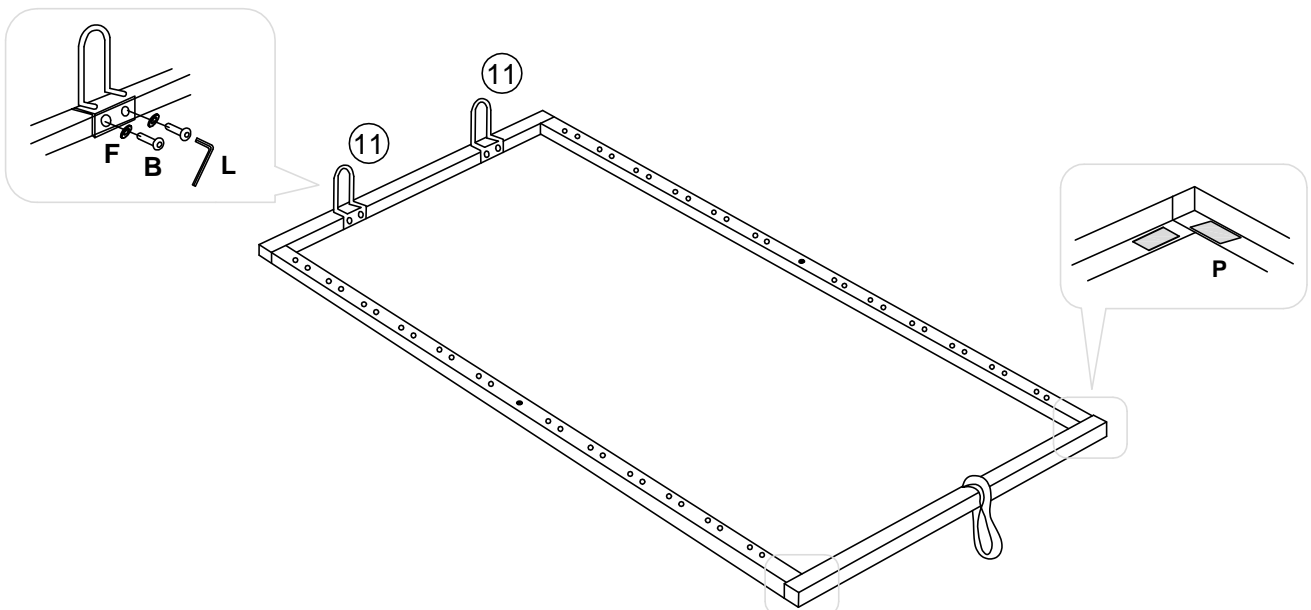
Step 5:

Attach the 2 x Base Side Bar (10) to the Base Front Bar (8) using hardware parts (D),(F) and (G). Then attach the 2 x Base Side Bar (10) to the Base Back Bar (9) using hardware parts (D),(F) and (G). Thread the Base Lift Strap (I) into Base Back Bar (9).

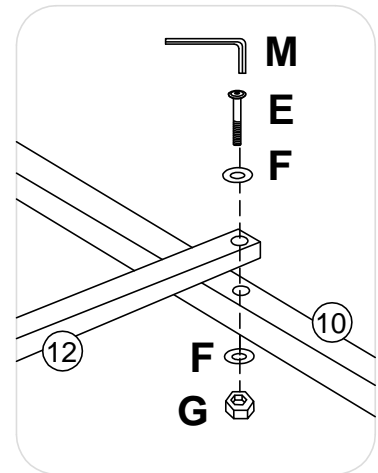
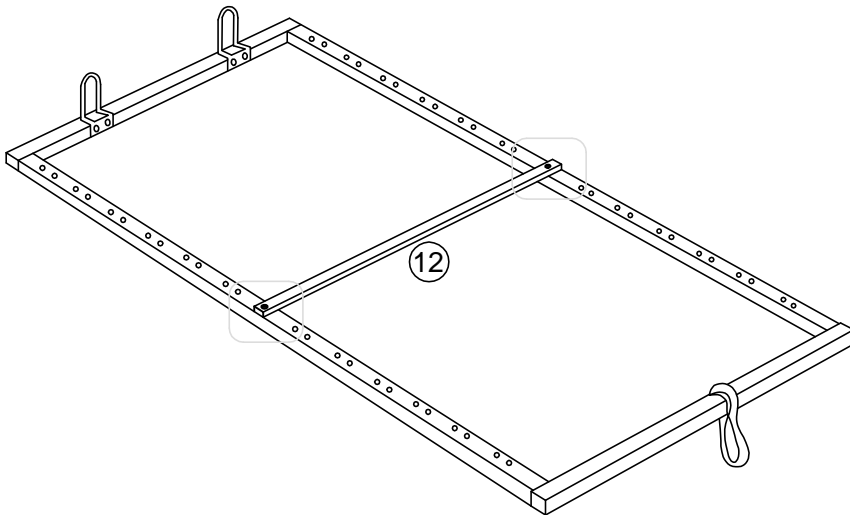


Step 6:

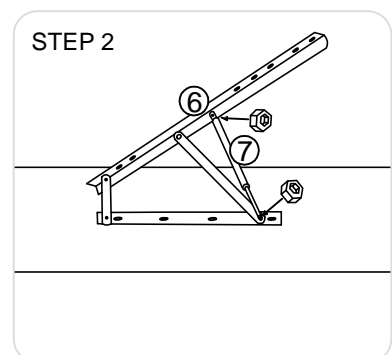
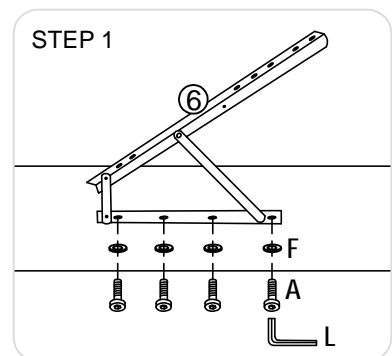
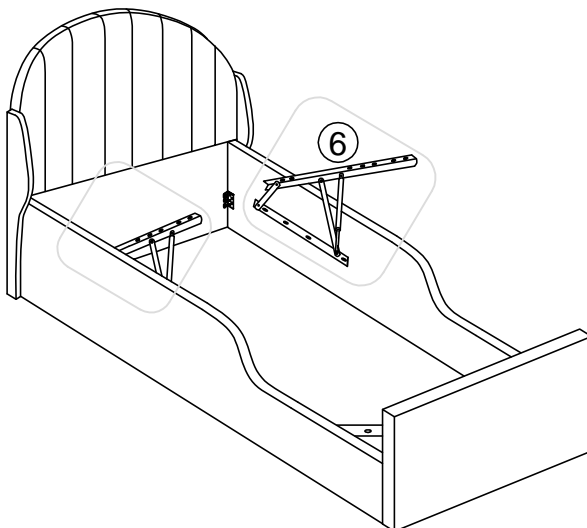
Attach the 2 x Mattress Support (11) to the Base Front Bar (8) using hardware parts (B) and (F). Attach the 4 x EVA Pad (P) to the underside of the Base Front Bar (8) and Base Back Bar (9).



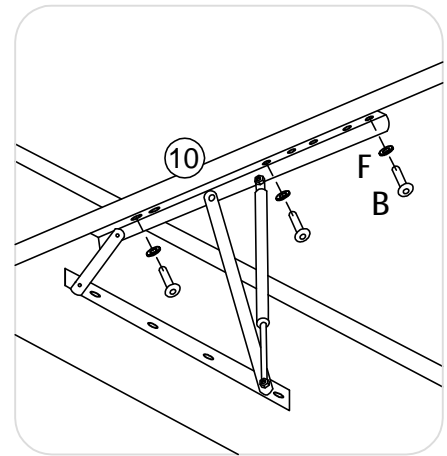
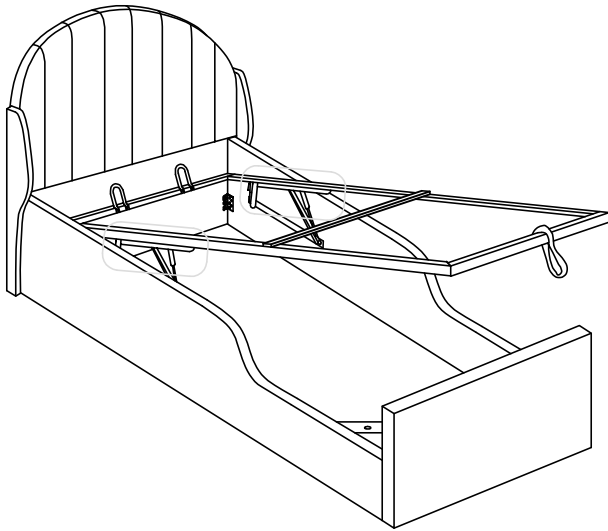
Step 7: Attach the 1 x Across Bar (12) to the Base Side Bar (10) using hardware parts (E), (F) and (G).



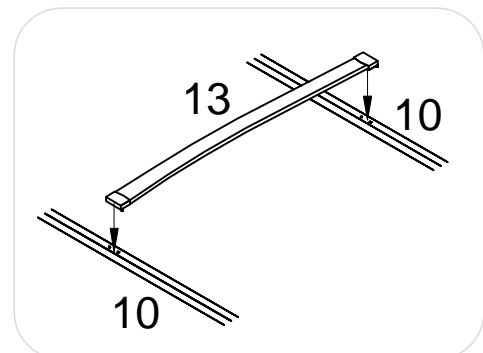
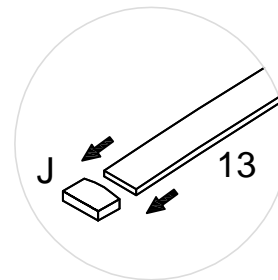
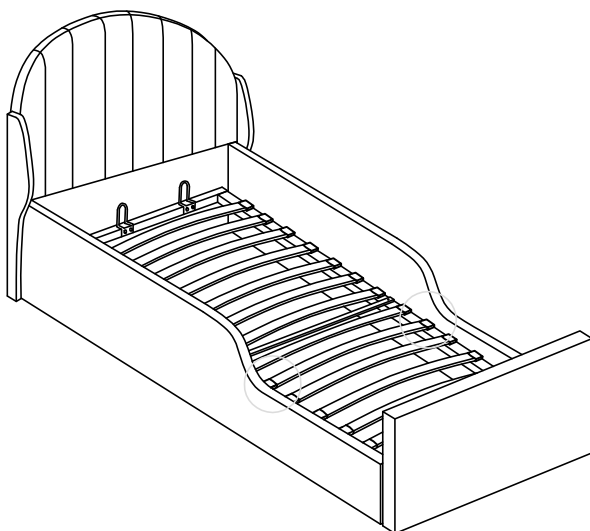
Step 8: Attach the 2 x Gas Lift (6) to the siderail (3&4) using hardware parts (A) and (F), and then attach the 1 x Cylinder (7) to lock on the Gas Lift (6).

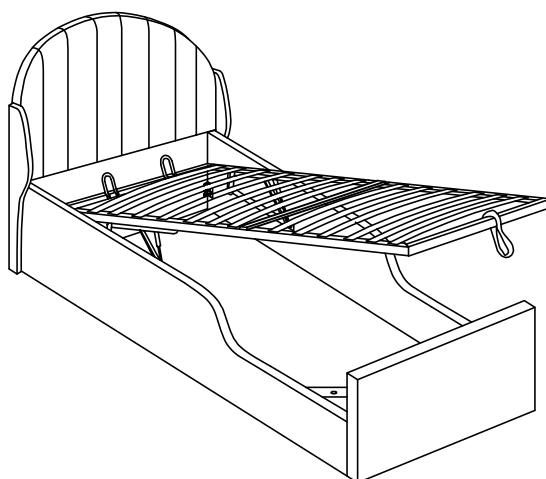


Step 9: Put the bed frame installed in step 7 on the Gas Lift (6) and lock it with parts (B) and (F) after the hole position is good. Then put the bed shelf down.



Step 10: Attach 2 x End Cap (J) onto every slats (13). Attach the slats to the bed as shown below. Push the caps into the holes.





COMPLETED !

Please dispose of all packaging safely.

General Care & Maintenance

Wipe clean with a slightly damp cloth.

Avoid the use of all household cleaners and abrasives.

Periodically check all screw & fixings to ensure they are secure.

When moving your product, carefully lift into place. Never drag or push the product across the floor as this will cause damage to the joints. If the product is used on hard flooring, such as wood or laminated floor, you must place some protection under the legs to stop the product from moving. If this is not adhered to, it could result in failure to the product that will invalidate the warranty.